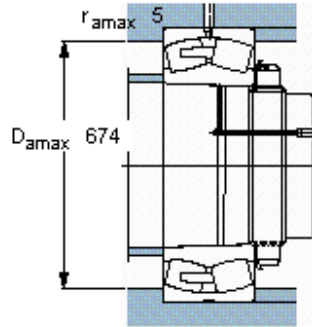
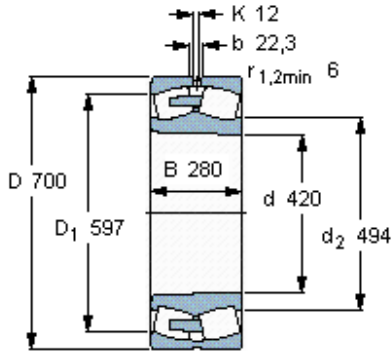


Spherical roller bearings, cylindrical and tapered bore

Principal dimensions			Basic load ratings		Speed ratings	Limiting speed	Designation
d	D	B	dynamic C	static C0	Reference speed		* SKF Explorer bearing
mm			kN		r/min		-
420	700	280	7577	12600	320	480	24184 ECAK30/W33 *



Tapered bore, taper
1: 30

Calculation factors

- e 0,4
- Y_1 1,7
- Y_2 2,5
- Y_0 1,6